

AKER LIGHTING



AKER LIGHTING
marine

2024
EN



INDEX

Aluminum Bronze Yacht Lighting	1 - 22
Surface Mounted Thermal Resin Yacht Lighting	23 - 26
Sailboat Pole Lighting	27 -
Cockpit Lighting	28 - 30
Outdoor Yacht Lighting	31 - 32
IP67 Waterproof Downlights	33 - 36
Indoor Led Bar Yacht Lighting	37 - 38
Underwater Yacht Core	39 - 40
IP68 Connectors	41 - 42
RGBW Controller	43 - 44

AK BORU®

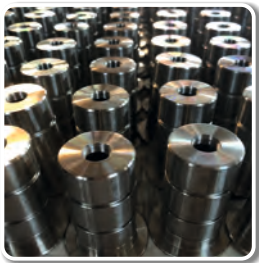
Thanks to our esteemed founder Mr. Suleyman Alkan, our company was established 1955 in Istanbul, Turkey. In our earlier years, we mostly in specialized metalwork such as pipe manufacturing. Period of time, our company started to garner attention and praise from the industry for our quality products. Over time, we extended our portfolio of products and became one of the leaders in our field.



Our company kept growing, and in 1998 was converted to an LLC.



Towards the end of 2008, we started LED underwater and pool lighting, which requires high manufacturing technology. We developed a very innovative system in PAR56 class pool light bulbs and surface-mounted pool light bulbs, and launched the first technological products in the world and in Turkey. While our country and the world are in search of energy saving product, our company has started to limit its LED production to only energy-saving and environment-friendly product.



Since 2012, we have taken our experience from underwater pool lighting technology to a higher level and added underwater Yacht and Boat lighting to our production tree. In order to increase our product quality and intensify our international trade, our products have CE and CB certificates. All the products we have made are produced within our company and exported to many countries of the world, especially to America and European countries. As an innovative and quality-loving company, we will be in the desire to continue to offer you higher quality products with our special design.



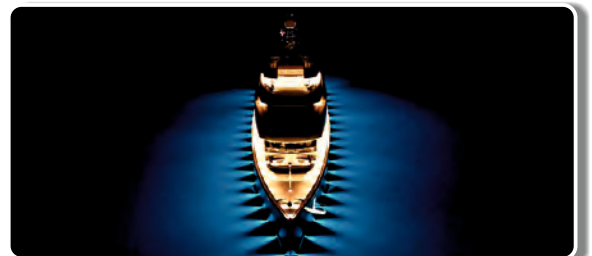
In 1980, Mr. Alkan and his three friends started and organized a modern industrial park, Istanbul Dogu Industrial Park. Our company shortly moved to this new site due to our increasing need for industrial space.

AK BORU ELEKTRIK CO. LTD.

Since 1999, we have started to manufacture on garden lighting. In the following years, we have increased the production range of many garden fixtures made of Stainless steel, Aluminum and special durable Resin materials day by day.



After the first days of 2010, we started to maximize our machinery, mold and electronic engineering investments. We manufacture many LED underwater and pool lighting and cases, garden lighting from stainless steel, aluminum and special plastics, solar panel lighting, implementation of ceiling lighting with LED, wall lighting. Most of them are genuine and industrial design patented. With the desire of our company to focus on continuous quality, we have certified our management style with ISO9001:2015.



1955

1980

1998

1999

2008

2010

2012



CORPORATE MANAGEMENT

Süleyman ALKAN

General manager

Founder of the company. He pioneered many innovations with groundbreaking inventions in the design and manufacture of machines.



Zafer ALKAN

Export & Finance

Designer of new products as well as the study R&G. Creator of patents for innovative works and products. Owner of the patent for cooling swimming-pool bulbs PAR 56.



Ali ALKAN

Purchasing & Procurement

He is specialized in finance and planning. He provides the production and development plans of the factory.

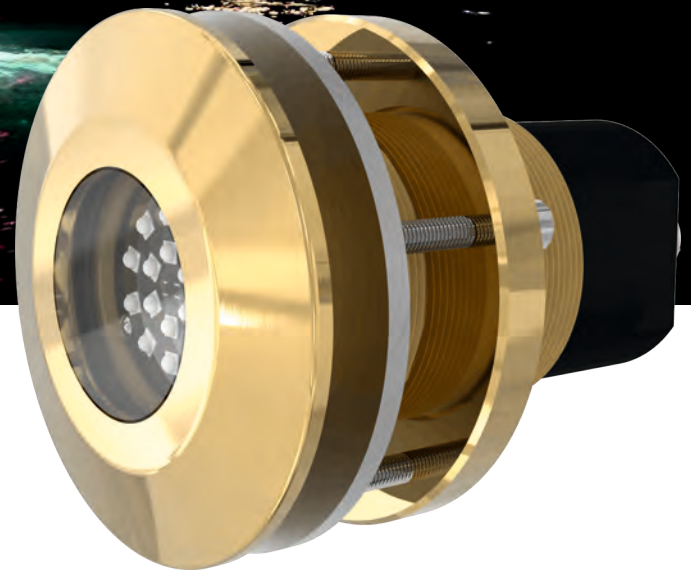
Hasan Kamil ALKAN

Director of Manufacturing and Projects

Training in production and design
From 3D plans, he provides the steps of production and manufacturing of our products. Expert in molding and tooling. He realizes part of the manufacturing of our machines and our molds.



AL UWL301 TH

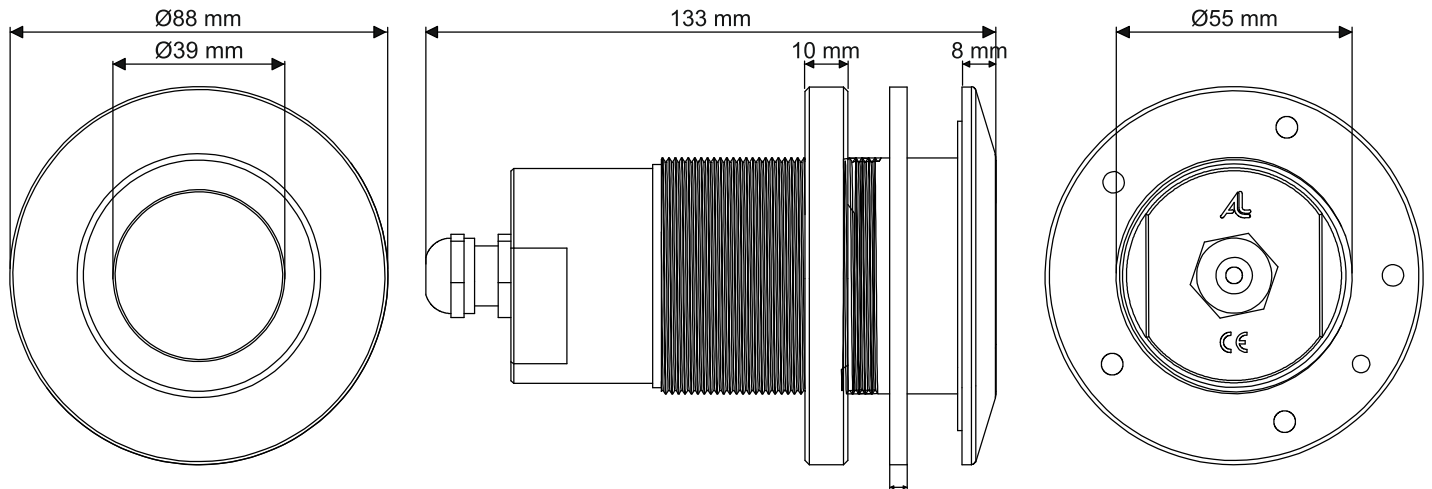


BOAT SIZE : 7-25 mt. / 25-80 ft.

- The resistant toward salt water thanks to Aluminium Bronze body
- Reinforced Aluminum replaceable inner core housing
- The High-Tech Power Led has high watt. Every LED is 5 Watt
- Every LED has 140-160Lumen
- RGBW full colour LED
- 8 mm Shockproof Tempered Glass
- 2x1,5 mm² Neopren RNF cable.
- No need to dismantle the entire product when changing LEDs
- Easy to replace by loosening the aluminum lighting capsule from inside the boat.
The Aluminum Bronze body remains fixed on the boat.
- You can be connected AHD 2MP 1080P camera to the same housing optionelly.



Product Specifications



Product Code	AL UWL301 TH
Boat Dimensions mt./ft.	7mt. - 25mt. / 25ft. - 80ft.
Single Colour LED	White 16x4W & Royal Blue 16x4W 3535 High Power LED / LED Degree 110°
RGBW Led	RGBW 15x4W 3535 High Power LED / LED Degree 110°
Volt	10V-30VDC
Current 24V / 12V	3.0A / 6.0A
Watt	Single Colour 64W. - RGBW 60W.
Single Colour / Lumen	White 9000 lumen , Royal Blue 3360 lumen
RGBW Colour / Lumen	R: 750 lumen, G: 1800 lumen, B: 450 lumen, W: 2250 lumen, RGBW: 5250 lumen
IP Code	IP68 CLASS III
Body Material	Marine Aluminum Bronze Body, Marine Aluminum Led Core
Glass	8 mm. Special Tempered Glass
Product Cable	Single Colour 2 mt. 2x1,5 RNF Marine Cable , RGBW 2 mt. 5x1 RNF Marine Cable
Driver	Internal Constant Current Led Driver
Underwater Camera	Can be applied by modifying the core
Product Sizes	Light Head Diameter: 88mm. , Head height: 8mm. , Full Length: 133mm. , Glass diameter: 39mm.
Hole Diameter	55mm.
Weight	1,625 gr.








CLASS III

 **Do not use in waterless environment.**

AL UWL301 THS

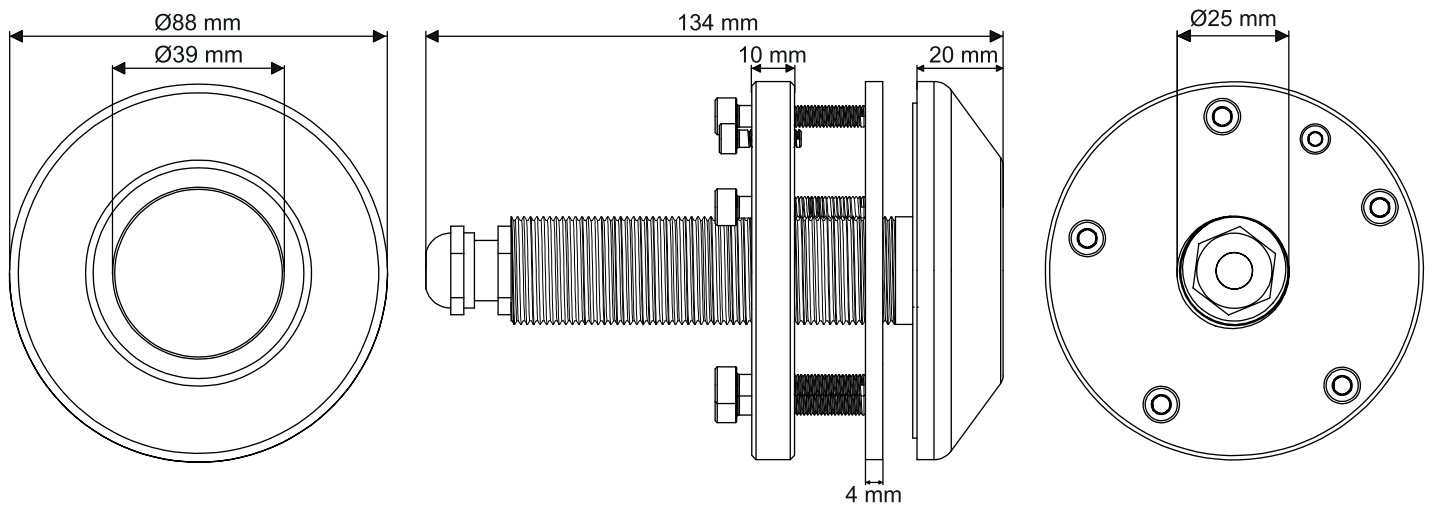


BOAT SIZE : 7-25 mt. / 25-80 ft.

- The resistant toward salt water thanks to Aluminium Bronze body
- Reinforced Aluminum replaceable inner core housing
- The High-Tech Power Led has high watt. Every LED is 5 Watt
- Every LED has 140-160Lumen
- RGBW full colour LED
- 8 mm Shockproof Tempered Glass
- 2x1,5 mm² Neopren RNF cable.
- No need to dismantle the entire product when changing LEDs
- Easy to replace by loosening the aluminum lighting capsule from inside the boat.
The Aluminum Bronze body remains fixed on the boat.



Product Specifications

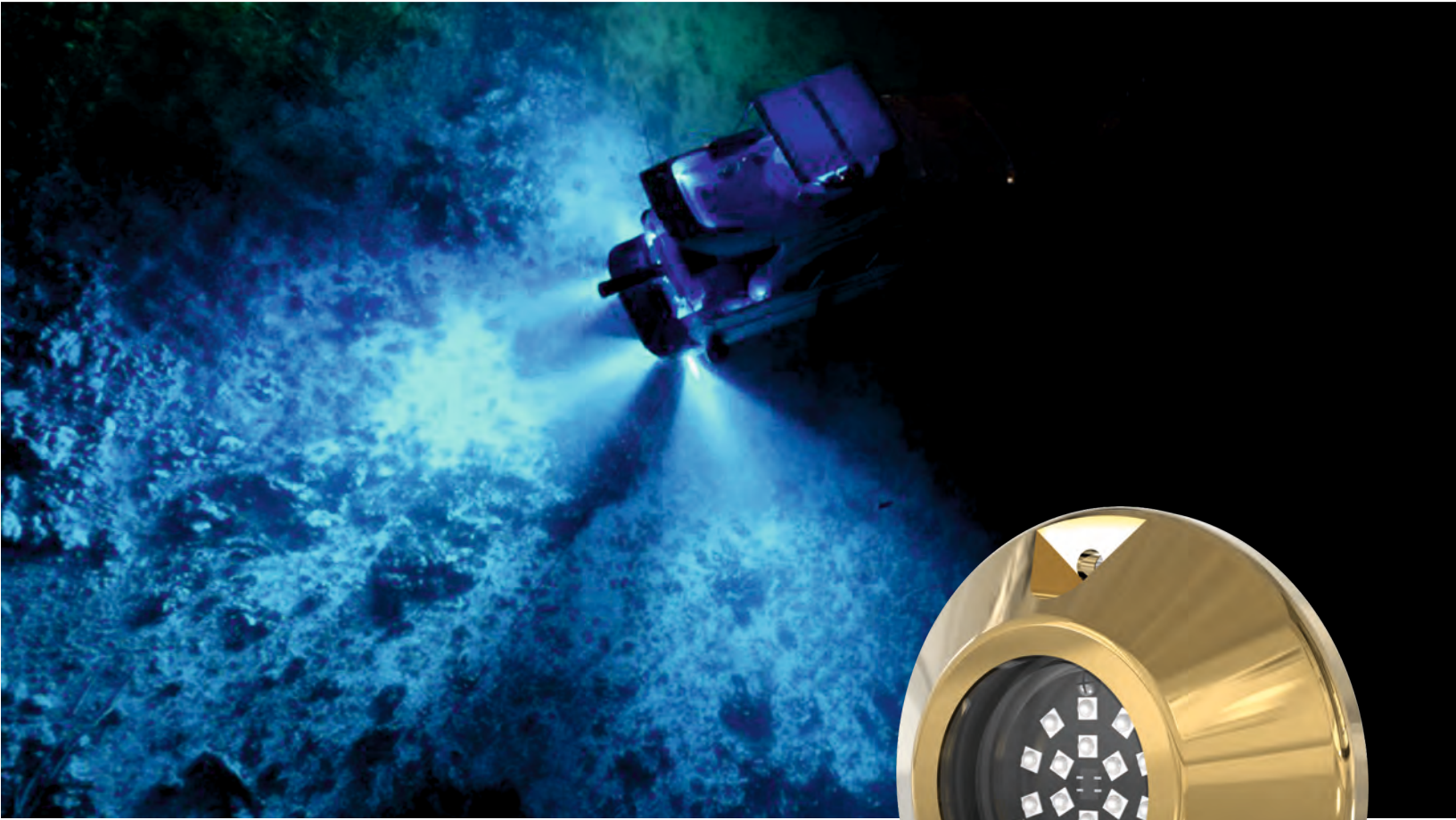


Product Code	AL UWL301 THS
Boat Dimensions mt./ft.	7mt. - 25mt. / 25ft. - 80ft.
Single Colour LED	White 16x4W & Royal Blue 16x4W 3535 High Power LED / LED Degree 110°
RGBW Led	RGBW 15x4W 3535 High Power LED / LED Degree 110°
Volt	10V-30VDC
Current 24V / 12V	3.0A / 6.0A
Watt	Single Colour 64W. - RGBW 60W.
Single Colour / Lumen	White 9000 lumen , Royal Blue 3360 lumen
RGBW Colour / Lumen	R: 750 lumen, G: 1800 lumen, B: 450 lumen, W: 2250 lumen, RGBW: 5250 lumen
IP Code	IP68 CLASS III
Body Material	Marine Aluminum Bronze Body, Marine Aluminum Led Core
Glass	8 mm. Special Tempered Glass
Product Cable	Single Colour 2 mt. 2x1,5 RNF Marine Cable , RGBW 2 mt. 5x1 RNF Marine Cable
Driver	External Constant Current Led Driver
Underwater Camera	Not applicable.
Product Sizes	Light Head Diameter: 88mm., Head height: 20mm., Full Length: 134mm., Glass diameter: 39mm.
Hole Diameter	25mm.
Weight	1,225 gr.

U.V.   IP68      CLASS III

 Do not use in waterless environment.

AL UWL301 SM

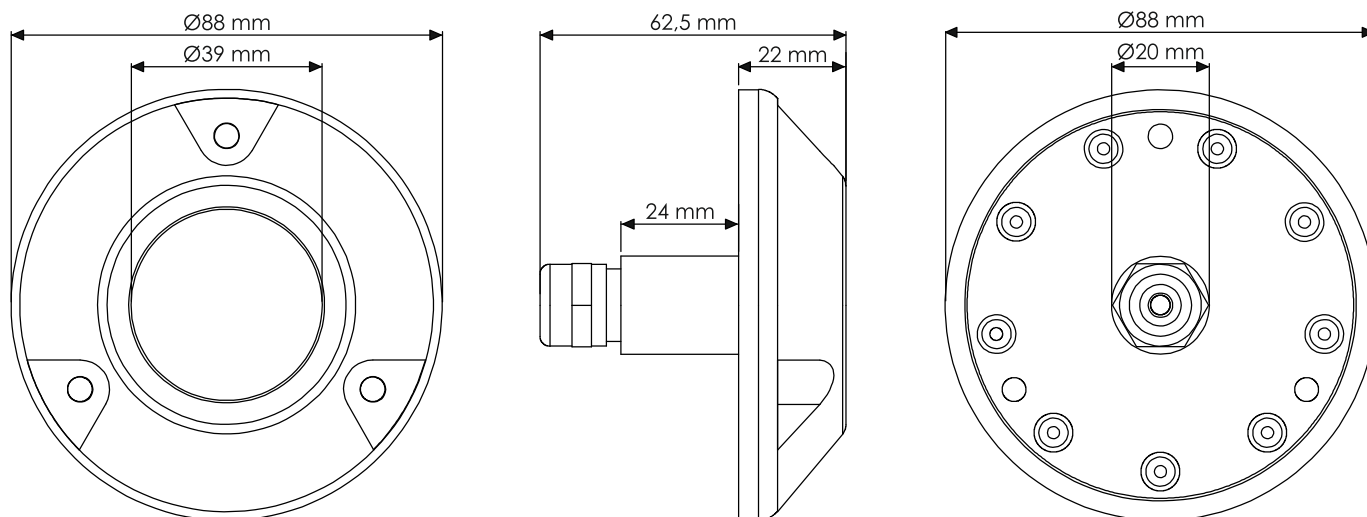


BOAT SIZE : 7-25 mt. / 25-80 ft.

- The resistant toward salt water thanks to Aluminium Bronze body
- The High-Tech Power Led has high watt. Every LED is 5 Watt
- Every LED has 140-160Lumen
- RGBW full colour LED
- 8 mm Shockproof Tempered Glass
- 2x1,5 mm² Neopren RNF cable.
- Body assembly is practical. 20 mm cable hole is drilled on the surface of the hull and the surface of the boat is mounted underwater.



Product Specifications

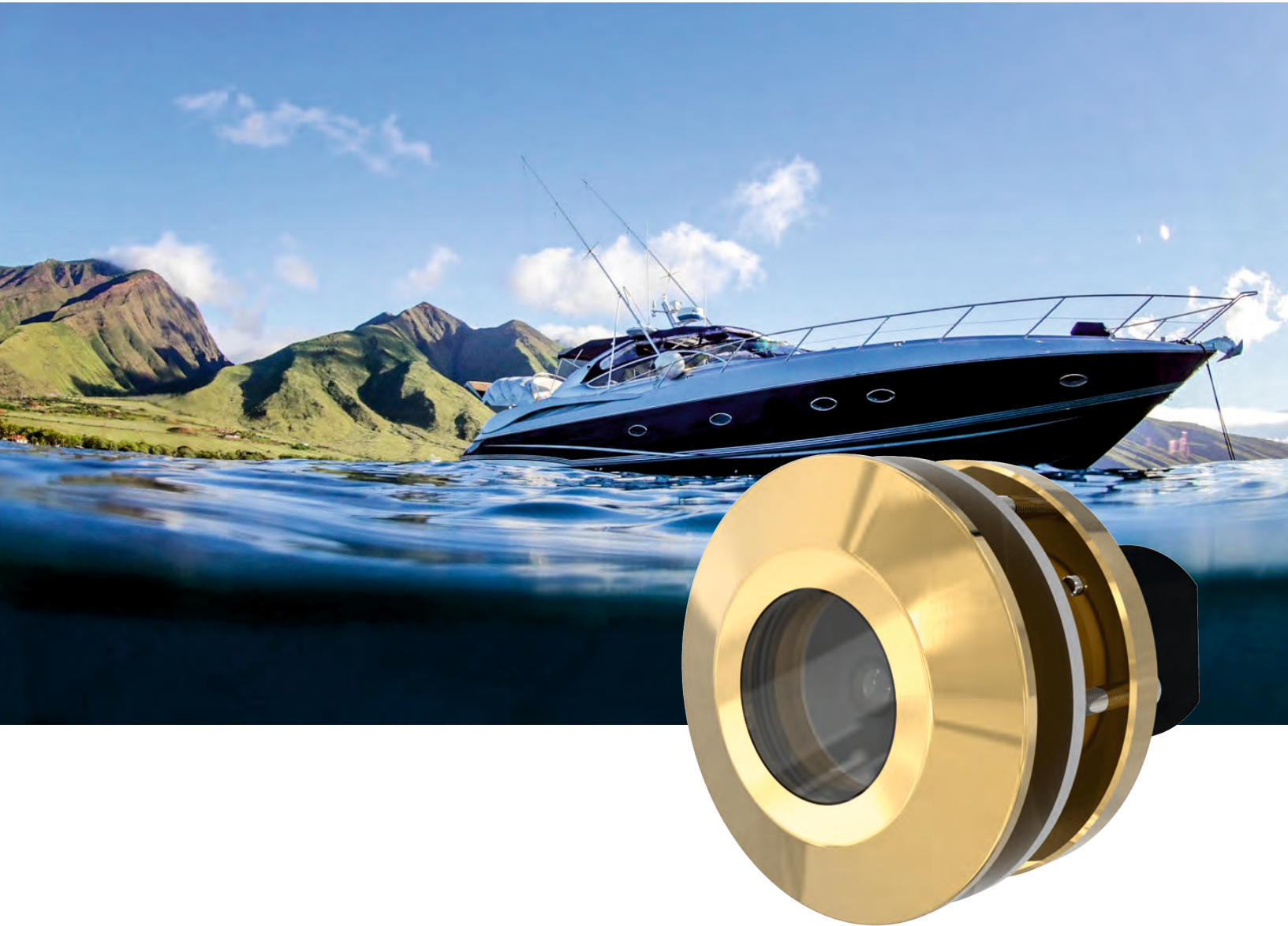


Product Code	AL UWL301 SM
Boat Dimensions mt./ft.	7mt. - 25mt. / 25ft. - 80ft.
Single Colour LED	White 16x4W & Royal Blue 16x4W 3535 High Power LED / LED Degree 110°
RGBW LED	RGBW 15x4W 3535 High Power LED / LED Degree 110°
Volt	10V-30VDC
Current 24V / 12V	3.0A / 6.0A
Watt	Single Colour 64W. - RGBW 60W.
Single Colour / Lumen	White 9000 lumen , Royal Blue 3360 lumen
RGBW Colour / Lumen	R: 750 lumen, G: 1800 lumen, B: 450 lumen, W: 2250 lumen, RGBW: 5250 lumen
IP Code	IP68 CLASS III
Body Material	Marine Aluminum Bronze Body, AISI 316L Stainless Steel Back Cover
Glass	8 mm. Special Tempered Glass
Product Cable	Single Colour 2 mt. 2x1,5 RNF Marine Cable , RGBW 2 mt. 5x1 RNF Marine Cable
Driver	External Constant Current Led Driver
Underwater Camera	Not applicable.
Product Sizes	Light Head Diameter: 88mm. , Head height: 22mm. , Full Length: 62,5mm. , Glass diameter: 39mm.
Hole Diameter	20mm.
Weight	690 gr.

U.V.   IP68      CLASS III

 Do not use in waterless environment.

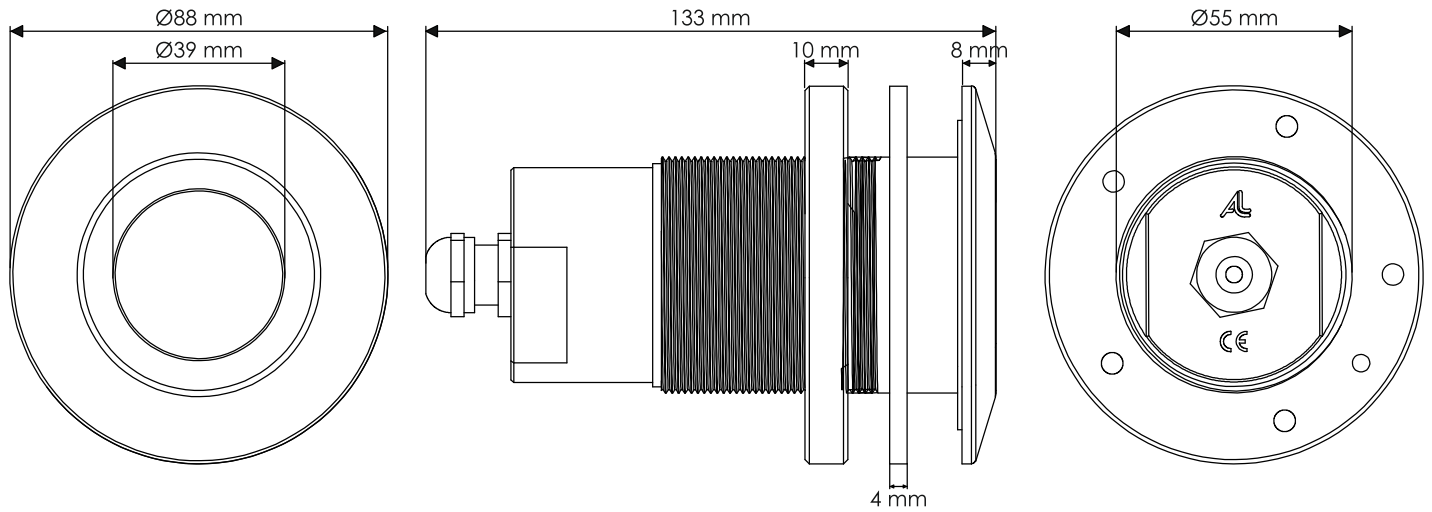
AL UWC301 TH



- Used in all boats.
- The resistant toward salt water thanks to Aluminium Bronze body.
- Reinforced Aluminum replaceable inner core housing.
- 2 MP AHD 1080P Camera
- It gives very low brightness image.
- AHD camera is high resolution.
- 8 mm Shockproof Tempered Glass
- Neopren RNF cable.
- Easy to replace by loosening the aluminum lighting capsule from inside the boat.
The Aluminum Bronze body remains fixed on the boat.



Product Specifications



Product Code	AL UWC301 TH
Resolution	Full HD 1080P
Camera Lens	2MP SONY
Effective Pixels	1920 (H) X 1080 (V)
Lens	3.6 mm Fixed Focus
Lowest Brightness	0,0001 Lux
Signal System	PAL / NTSC
Angle of Vision	90°
Video Output	AHD
Energy Consumption	1 W
Current	0.1A
Input Voltage	12 VDC
Product Cable	IP68 CLASS III
Body Material	Marine Aluminum Bronze Body, Marine Aluminum Led Core
Glass	8 mm. Special Tempered Glass
Product Sizes	Outer Head Diameter: 88mm., Head height: 8mm., Full Length: 133mm., Glass diameter: 39mm.
Hole Diameter	55mm.
Weight	1,610 gr.

U.V.   IP68      CLASS III

 Do not use in waterless environment.

AL UWL302 TH

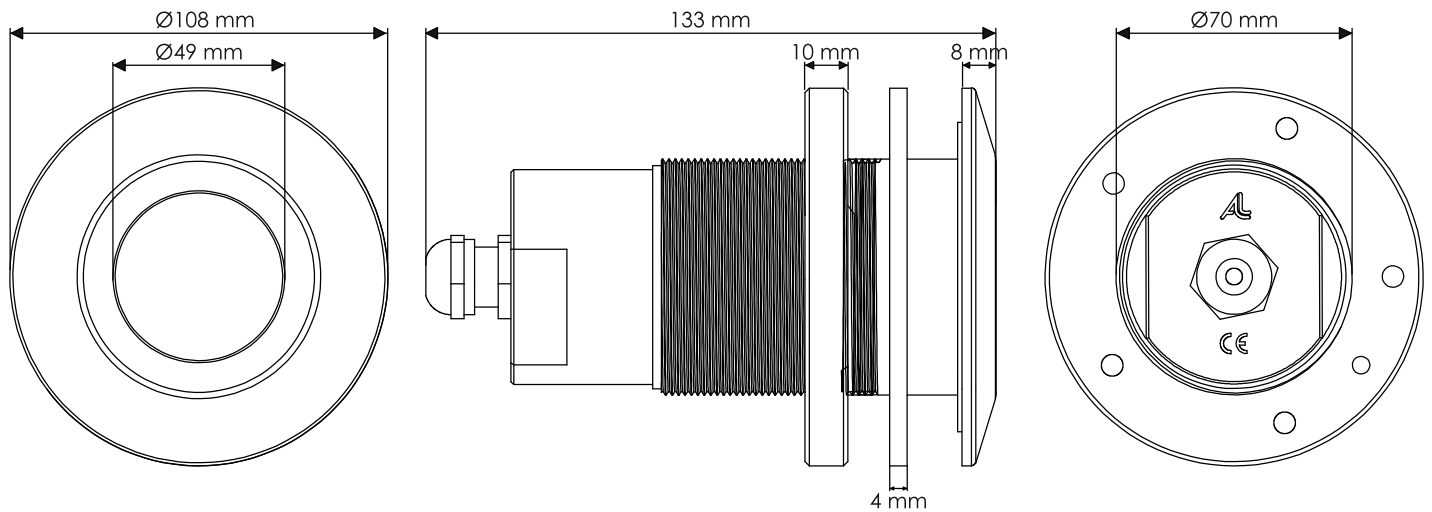


BOAT SIZE : 7-50 mt. / 25-165 ft.

- The resistant toward salt water thanks to Aluminium Bronze body
- Reinforced Aluminum replaceable inner core housing
- The High-Tech Power Led has high watt. Every LED is 5 Watt
- Every LED has 140-160Lumen
- RGBW full colour LED
- 8 mm Shockproof Tempered Glass
- 2x1,5 mm² Neopren RNF cable.
- No need to dismantle the entire product when changing LEDs
- Easy to replace by loosening the aluminum lighting capsule from inside the boat.
The Aluminum Bronze body remains fixed on the boat.
- You can be connected AHD 2MP 1080P camera to the same housing optionelly.



Product Specifications

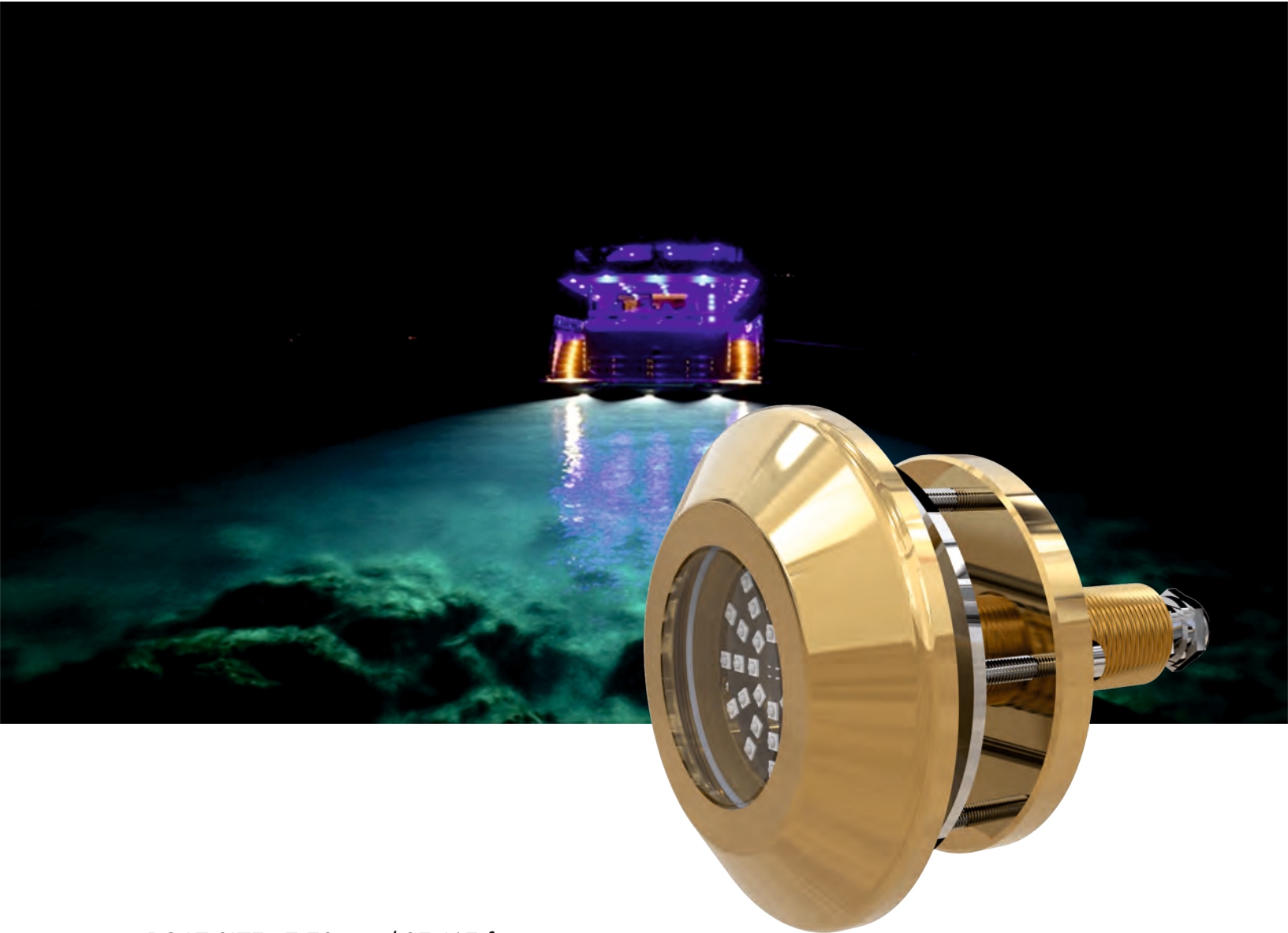


Product Code	AL UWL302 TH
Boat Dimensions mt./ft.	7mt. - 50mt. / 25ft. - 165ft.
Single Colour LED	White 32x4W & Royal Blue 32x4W 3535 High Power LED / LED Degree 110°
RGBW Led	RGBW 30x4W 3535 High Power LED / LED Degree 110°
Volt	10V-30VDC
Current 24V / 12V	5.4A / 10.8A
Watt	Single Colour 128W. - RGBW 120W.
Single Colour / Lumen	White 18000 lumen , Royal Blue 6720 lumen
RGBW Colour / Lumen	R: 1500 lumen, G: 3600 lumen, B: 900 lumen, W: 4500 lumen, RGBW: 10500 lumen
IP Code	IP68 CLASS III
Body Material	Marine Aluminum Bronze Body, Marine Aluminum Led Core
Glass	8 mm. Special Tempered Glass
Product Cable	Single Colour 2 mt. 2x1,5 RNF Marine Cable , RGBW 2 mt. 5x1 RNF Marine Cable
Driver	Internal Constant Current Led Driver
Underwater Camera	Can be applied by modifying the core
Product Sizes	Light Head Diameter: 108mm. , Head height: 8mm. , Full Length: 133mm. , Galss Diameter: 49mm.
Hole Diameter	70mm.
Weight	2,350 gr.

U.V.   IP68      CLASS III

 Do not use in waterless environment.

AL UWL302 THS

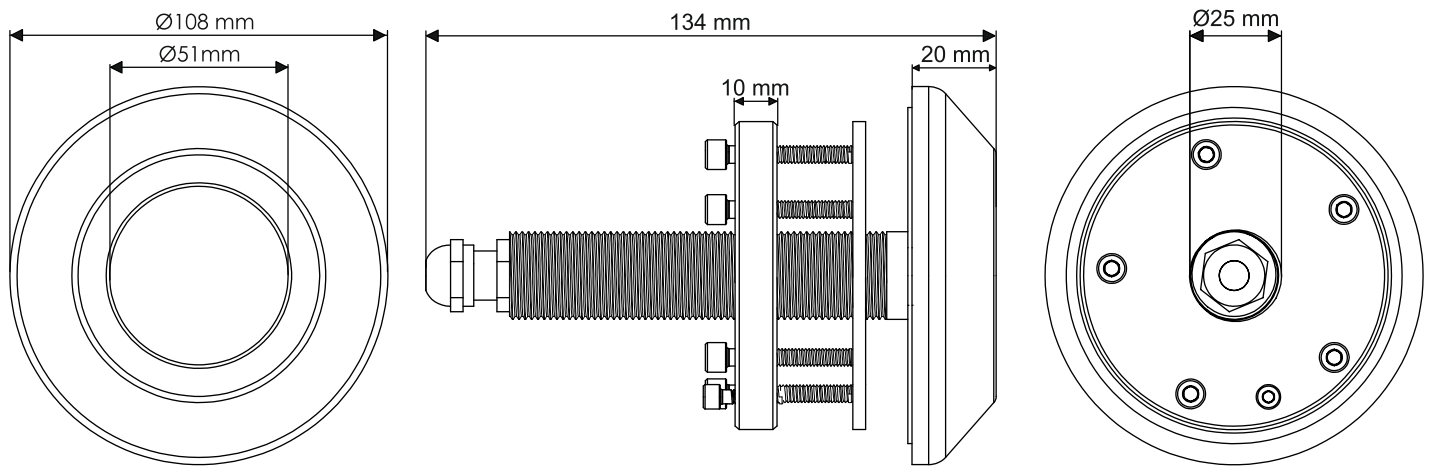


BOAT SIZE : 7-50 mt. / 25-165 ft.

- The resistant toward salt water thanks to Aluminium Bronze body
- Reinforced Aluminum replaceable inner core housing
- The High-Tech Power Led has high watt. Every LED is 5 Watt
- Every LED has 140-160Lumen
- RGBW full colour LED
- 8 mm Shockproof Tempered Glass
- 2x1,5 mm² Neopren RNF cable.
- No need to dismantle the entire product when changing LEDs
- Easy to replace by loosening the aluminum lighting capsule from inside the boat.
The Aluminum Bronze body remains fixed on the boat.



Product Specifications



Product Code	AL UWL302 THS
Boat Dimensions mt./ft.	7mt. - 50mt. / 25ft. - 165ft.
Single Colour LED	White 32x4W & Royal Blue 32x4W 3535 High Power LED / LED Degree 110°
RGBW Led	RGBW 30x4W 3535 High Power LED / LED Degree 110°
Volt	10V-30VDC
Current 24V / 12V	5.4A / 10.8A
Watt	Single Colour 128W. - RGBW 120W.
Single Colour / Lumen	White 18000 lumen , Royal Blue 6720 lumen
RGBW Colour / Lumen	R: 1500 lumen, G: 3600 lumen, B: 900 lumen, W: 4500 lumen, RGBW: 10500 lumen
IP Code	IP68 CLASS III
Body Material	Marine Aluminum Bronze Body, Marine Aluminum Led Core
Glass	8 mm. Special Tempered Glass
Product Cable	Single Colour 2 mt. 2x1,5 RNF Marine Cable , RGBW 2 mt. 5x1 RNF Marine Cable
Driver	External Constant Current Led Driver
Underwater Camera	Not applicable.
Product Sizes	Light Head Diameter: 108mm. , Head height: 20mm. , Full Length: 134 mm. , Glass Diameter: 51mm.
Hole Diameter	25mm.
Weight	1,970 gr.

U.V.   IP68     CLASS III

 Do not use in waterless environment.

AL UWL302 SM

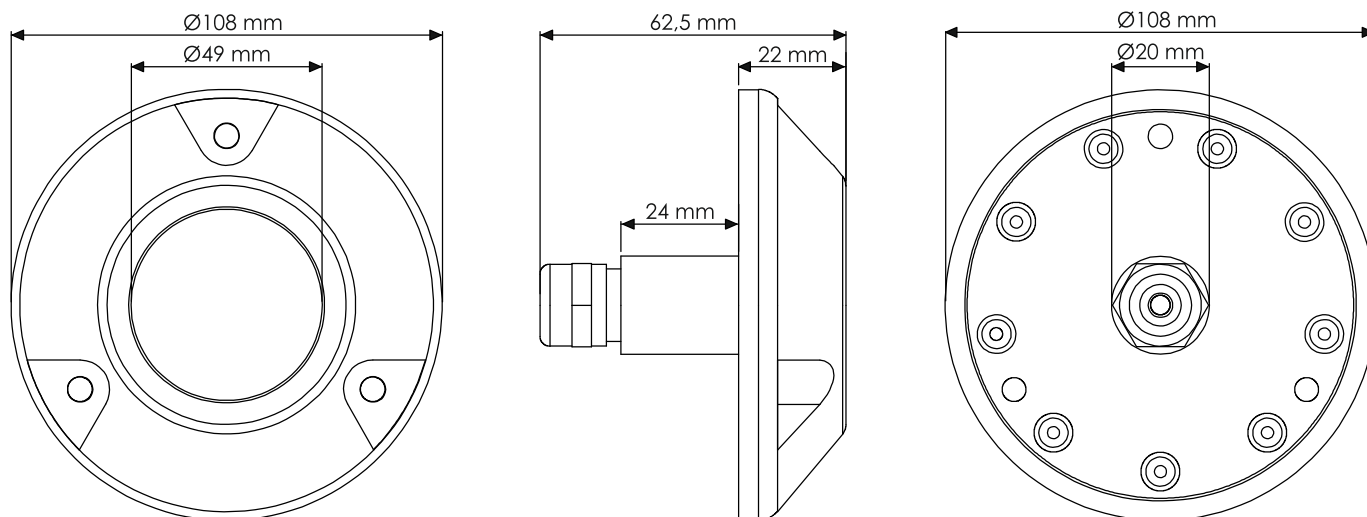


BOAT SIZE: 7-50 mt. / 25-165 ft.

- The resistant toward salt water thanks to Aluminium Bronze body
- The High-Tech Power Led has high watt. Every LED is 5 Watt
- Every LED has 140-160Lumen
- RGBW full colour LED
- 8 mm Shockproof Tempered Glass
- 2x1,5 mm² Neopren RNF cable.
- Body assembly is practical. 20 mm cable hole is drilled on the surface of the hull and the surface of the boat is mounted underwater.



Product Specifications



Product Code	AL UWL302 SM
Boat Dimensions mt./ft.	7mt. - 50mt. / 25ft. - 165ft.
Single Colour LED	White 32x4W & Royal Blue 32x4W 3535 High Power LED / LED Degree 110°
RGBW Led	RGBW 30x4W 3535 High Power LED / LED Degree 110°
Volt	10V-30VDC
Current 24V / 12V	5.4A / 10.8A
Watt	Single Colour 128W. - RGBW 120W.
LED Colour / Lumen	White 18000 lumen , Royal Blue 6720 lumen
RGBW Colour / Lumen	R: 1500 lumen, G: 3600 lumen, B: 900 lumen, W: 4500 lumen, RGBW: 10500 lumen
IP Code	IP68 CLASS III
Body Material	Marine Aluminum Bronze Body, AISI 316L Stainless Steel Back Cover
Glass	8 mm. Special Tempered Glass
Product Cable	Single Colour 2 mt. 2x1,5 RNF Marine Cable , RGBW 2 mt. 5x1 RNF Marine Cable
Driver	External Constant Current Led Driver
Underwater Camera	Not applicable.
Product Sizes	Light Head Diameter: 108mm. , Head height: 22 mm. , Full Length: 62,5 mm. , Glass Diameter: 49mm
Hole Diameter	20mm.
Weight	870 gr.

U.V.   IP68      CLASS III



Do not use in waterless environment.

AL UWL303 TH

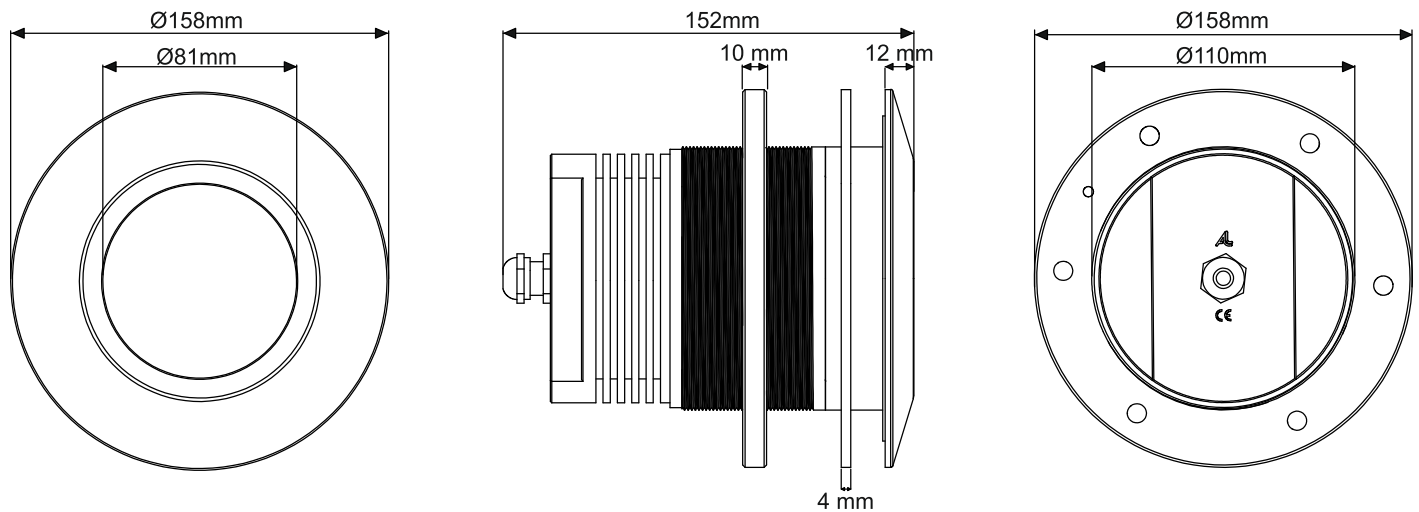


BOAT SIZE : 15-100 mt. / 50-330 ft.

- The resistant toward salt water thanks to Aluminium Bronze body
- Reinforced Aluminum replaceable inner core housing
- The High-Tech Power Led has high watt. Every Led is 5 Watt
- Every LED has 140-160Lumen
- RGBW full colour LED
- 12 mm Shockproof Tempered Glass
- 2x1,5 mm² Neopren RNF cable.
- No need to dismantle the entire product when changing LEDs
- Easy to replace by loosening the aluminum lighting capsule from inside the boat.
The Aluminum Bronze body remains fixed on the boat.
- You can be connected AHD 2MP 1080P camera to the same housing optionelly.



Product Specifications




Product Code	AL UWL303 TH
Boat Dimensions mt./ft.	15mt. - 100mt. / 50ft. - 330ft.
Single Colour LED	White 64x4W & Royal Blue 64x4W 3535 High Power LED / LED Degree 110°
RGBW Led	RGBW 60x4W 3535 High Power LED / LED Degree 110°
Volt	10V-30VDC
Current 24V / 12V	11.0A - 22.0A
Watt	Single Colour 256W. - RGBW 240W.
LED Colour / Lumen	White 36000 lumen , Royal Blue 13440 lumen
RGBW Colour / Lumen	R: 3000 lumen, G: 7200 lumen, B: 1800 lumen, W: 9000 lumen, RGBW: 21000 lumen
IP Code	IP68 CLASS III
Body Material	Marine Aluminum Bronze Body, Marine Aluminum Led Core
Glass	12 mm. Special Tempered Glass
Product Cable	Single Colour 2 mt. 2x2,5 RNF Marine Cable , RGBW 2 mt. 5x1 RNF Marine Cable
Driver	Internal Constant Current Led Driver
Underwater Camera	Can be applied by modifying the core
Product Sizes	Light Head Diameter: 158mm. , Head Height: 12mm. , Full Lenght: 152mm. , Glass Diameter: 81mm.
Hole Diameter	110 mm.
Weight	5,800 gr.








CLASS III

 **Do not use in waterless environment.**

AL UWL303 THS

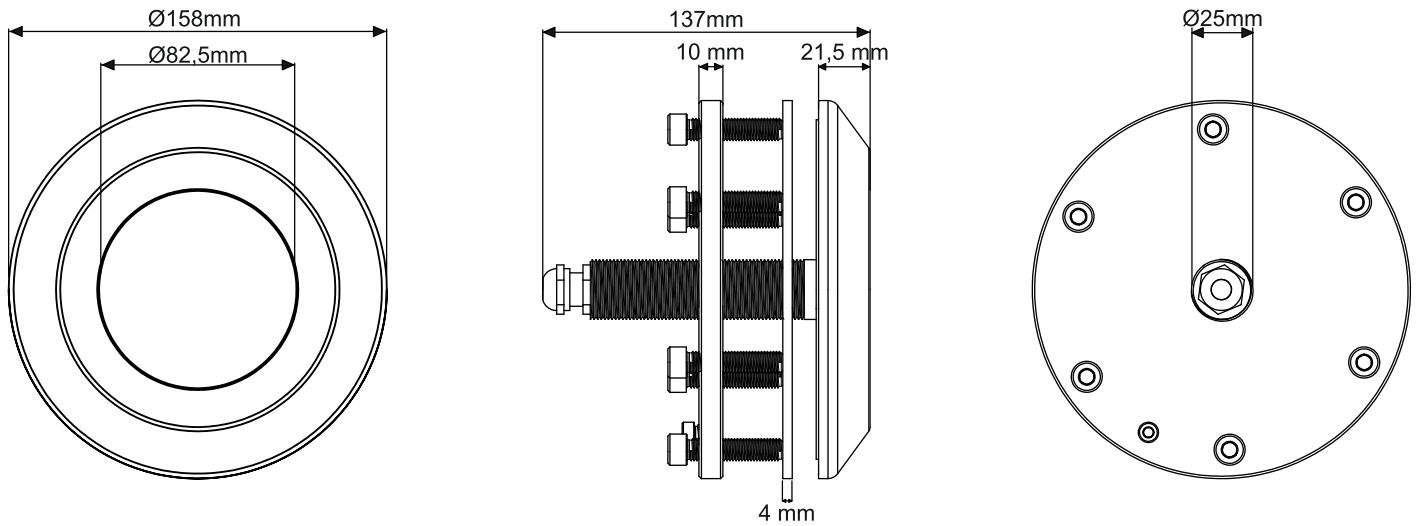


BOAT SIZE : 15-100 mt. / 50-330 ft.

- The resistant toward salt water thanks to Aluminium Bronze body
- Reinforced Aluminum replaceable inner core housing
- The High-Tech Power Led has high watt. Every Led is 5 Watt
- Every LED has 140-160Lumen
- RGBW full colour LED
- 12 mm Shockproof Tempered Glass
- 2x1,5 mm² Neopren RNF cable.
- No need to dismantle the entire product when changing LEDs
- Easy to replace by loosening the aluminum lighting capsule from inside the boat.
The Aluminum Bronze body remains fixed on the boat.



Product Specifications



Product Code	AL UWL303 THS
Boat Dimensions mt./ft.	15mt. - 100mt. / 50ft. - 330ft.
Single Colour LED	White 64x4W & Royal Blue 64x4W 3535 High Power LED / LED Degree 110°
RGBW Led	RGBW 60x4W 3535 High Power LED / LED Degree 110°
Volt	10V-30VDC
Current 24V / 12V	11.0A - 22.0A
Watt	Single Colour 256W. - RGBW 240W.
LED Colour / Lumen	White 36000 lumen , Royal Blue 13440 lumen
RGBW Colour / Lumen	R: 3000 lumen, G: 7200 lumen, B: 1800 lumen, W: 9000 lumen, RGBW: 21000 lumen
IP Code	IP68 CLASS III
Body Material	Marine Aluminum Bronze Body, Marine Aluminum Led Core
Glass	12 mm. Special Tempered Glass
Product Cable	Single Colour 2 mt. 2x2,5 RNF Marine Cable , RGBW 2 mt. 5x1 RNF Marine Cable
Driver	Internal Constant Current Led Driver
Underwater Camera	Not applicable.
Product Sizes	Light Head Diameter: 158mm., Head Height: 21,5mm., Full Lenght: 137mm., Glass Diameter: 82,5mm.
Hole Diameter	25 mm.
Weight	4,200 gr.

U.V.   IP68      CLASS III



Do not use in waterless environment.

AL UWL303 SM

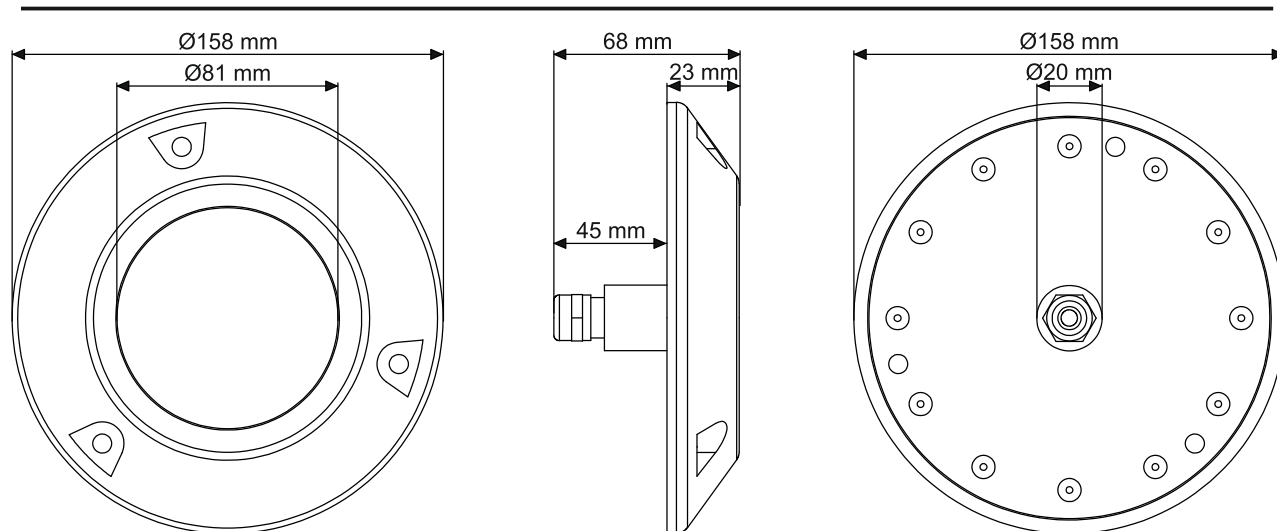


BOAT SIZE : 15-100 mt. / 50-330 ft.

- The resistant toward salt water thanks to Aluminium Bronze body
- The High-Tech Power Led has high watt. Every Led is 5 Watt
- Every LED has 140-160Lumen
- RGBW full colour LED
- 12 mm Shockproof Tempered Glass
- 2x1,5 mm² Neopren RNF cable.
- Body assembly is practical. 20 mm cable hole is drilled on the surface of the hull and the surface of the boat is mounted underwater.



Product Specifications



Product Code	AL UWL303 SM
Boat Dimensions mt./ft.	15mt. - 100mt. / 50ft. - 330ft.
Single Colour LED	White 64x4W & Royal Blue 64x4W 3535 High Power LED / LED Degree 110°
RGBW Led	60x4W 3535 High Power LED / LED Degree 110°
Volt	10V-30VDC
Current	11.0A - 22.0A
Watt	Single Colour 256W. - RGBW 240W.
LED Colour / Lumen	White 36000 lumen , Royal Blue 13440 lumen
RGBW Colour / Lumen	R: 3000 lumen, G: 7200 lumen, B: 1800 lumen, W: 9000 lumen, RGBW: 21000 lumen
IP Code	IP68 CLASS III
Body Material	Marine Aluminum Bronze Body, AISI 316L Stainless Steel Back Cover
Glass	12 mm. Special Tempered Glass
Product Cable	Single Colour 2 mt. 2x2,5 RNF Marine Cable , RGBW 2 mt. 5x1 RNF Marine Cable
Driver	External Constant Current Led Driver
Underwater Camera	Not applicable.
Product Sizes	Light Head Diameter: 158mm., Head Height: 23mm., Full Length: 68mm., Glass Diameter: 81mm.
Hole Diameter	20 mm.
Weight	2,350 gr.








CLASS III

 **Do not use in waterless environment.**

AL UWL401 SM

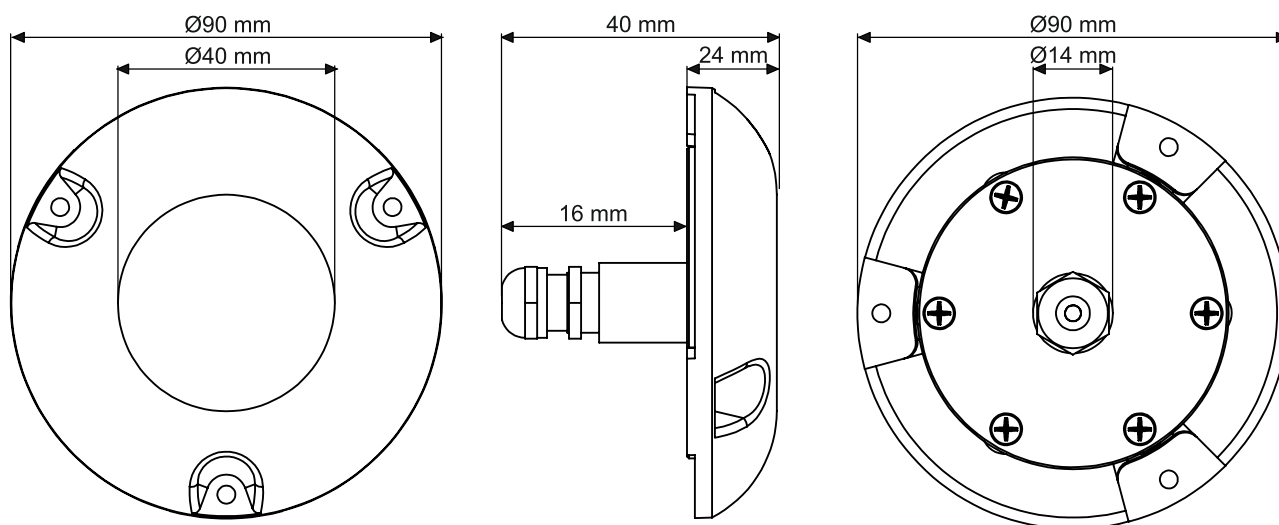


BOAT SIZE : 7-25 mt. / 25-80 ft.

- The resistant toward salt water thanks to Aluminium Bronze body
- The High-Tech Power Led has high watt. Every Led is 5 Watt
- Every LED has 140-160Lumen
- RGBW full colour LED
- 2x1,5 mm² Neopren RNF cable.
- Body assembly is practical. 14 mm cable hole is drilled on the surface of the hull and the surface of the boat is mounted underwater.



Product Specifications



Product Code	AL UWL401 SM
Boat Dimensions mt./ft.	7mt. - 25mt. / 25ft. - 80ft.
Single Colour LED	White 16x4W & Royal Blue 16x4W 3535 High Power LED / LED Degree 110°
RGBW Led	RGBW 15x4W 3535 High Power LED / LED Degree 110°
Volt	10V-30VDC
Current 24V / 12V	3.0A / 6.0A
Watt	Single Colour 64W. - RGBW 60W.
Single Colour / Lumen	White 9000 lumen , Royal Blue 3360 lumen
RGBW Colour / Lumen	R: 750 lumen, G: 1800 lumen, B: 450 lumen, W: 2250 lumen, RGBW: 5250 lumen
IP Code	IP68 CLASS III
Body Material	Marine Aluminum Bronze Body, or AISI 316L Stainless Steel Body
Glass	Impact resistant special glass
Product Cable	Single Colour 2 mt. 2x1,5 RNF Marine Cable , RGBW 2 mt. 5x1 RNF Marine Cable
Driver	IP67 External Constant Current Led Driver in Junction Box
Product Sizes	Light Head Diameter: 90mm., Head height: 24mm., Full Length: 40mm.
Hole Diameter	14 mm.
Weight	590 gr.

U.V.   IP68     CLASS III

 Do not use in waterless environment.

AL UWL402 SM



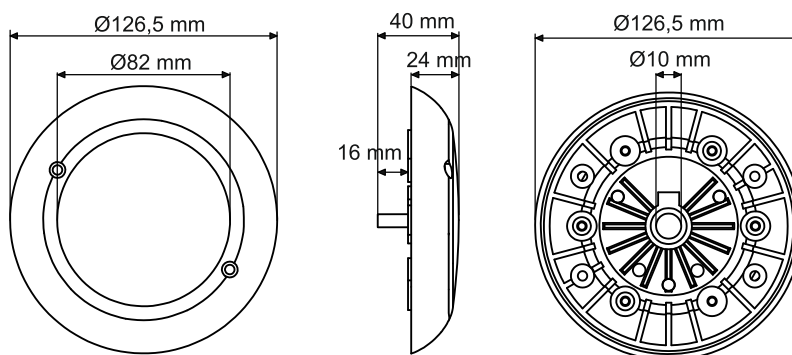
BOAT SIZE : 7-25 mt. / 25-80 ft.

- Salt resistant Thermal Resin body
- Impact resistant special glass
- High-Tech SMD LED with high wattage.
- Has light power of 100-110 lumens per watt
- RGB full colour LED
- 2x0,75 mm² Neopren RNF Cable
- Body assembly is practical. 10 mm cable hole is drilled on the surface of the hull and the surface of the boat is mounted underwater.



Turkey **PATENTED**
Discover the potential

Product Specifications



Product Code	AL UWL402 SM - 15W	AL UWL402 SM - 25W
Boat Dimensions mt./ft.	7mt. - 25mt. / 25ft. - 80ft.	
Single Colour LED	30 Pcs 5730 High Power LED	48 Pcs 5730 High Power LED
RGB LED	42 Pcs 5050 High Power LED	
LED Degree	110°	
Volt	24VDC - 12VDC	
Current 24V / 12V	0.63A / 1.25A	1,05A / 2.10A
Watt	Single Colour 15W. - RGBW 9W.	Single Colour 25W.
LED Colour / Lumen	White 1500 lumen , Blue 900 lumen	White 2500 lumen , Blue 1500 lumen
Product Cable	Single Colour 2 mt. 2x0,75 RNF Marine Cable, RGB 2 mt, 4x0,50 RNF Marine Cable	
Product Sizes	Light Head Diameter: 126,5mm. , Head height: 24mm. , Full Length: 40mm.	
Hole Diameter	10 mm.	

U.V. IP68 CLASS III

Do not use in waterless environment.

AL UWL403 SM



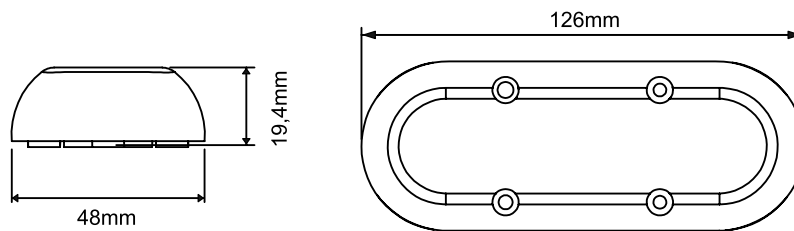
BOAT SIZE : 7-25 mt. / 25-80 ft.

- Salt resistant Thermal Resin body
- Impact resistant special glass
- High-Tech SMD LED with high wattage.
- Has light power of 100-110 lumens per watt
- RGB full colour LED
- 2x0,75 mm² Neopren RNF Cable
- Body assembly is practical. 10 mm cable hole is drilled on the surface of the hull and the surface of the boat is mounted underwater.



Turkey **PATENTED**
Discover the potential

Product Specifications



Product Code	AL UWL403 SM
Boat Dimensions mt./ft.	7mt. - 25mt. / 25ft. - 80ft.
Single Colour LED	24 Pcs 5730 High Power LED
RGB LED	36 Pcs 5050 High Power LED
LED Degree	110°
Volt	24VDC - 12VDC
Current 24V / 12V	0.5A / 1.0A
Watt	Single Colour 12W. - RGB 8W.
LED Colour / Lumen	White 1200 lumen , Blue 720 lumen
Product Cable	Single Colour 2 mt. 2x0,75 RNF Marine Cable, RGB 2 mt, 4x0,50 RNF Marine Cable
Product Sizes	Width: 126mm. , Height: 19,4mm. , Length: 48mm.
Hole Diameter	10 mm.

U.V. IP68 CLASS III

Do not use in waterless environment.

AL UWL404 SM



BOAT SIZE : 7-25 mt. / 25-80 ft.

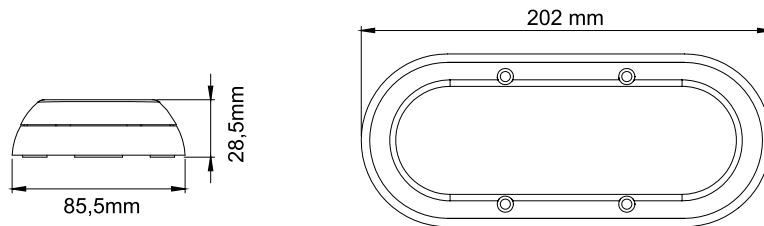
- Salt resistant Thermal Resin body
- Impact resistant special glass
- High-Tech SMD LED with high wattage.
- Has light power of 100-110 lumens per watt
- RGB full colour LED
- 2x0,75 mm² Neopren RNF Cable
- Body assembly is practical. 10 mm cable hole is drilled on the surface of the hull and the surface of the boat is mounted underwater.



Turkey
Discover
the potential

PATENTED

Product Specifications



Product Code	AL UWL404 SM
Boat Dimensions mt./ft.	7mt. - 25mt. / 25ft. - 80ft.
Single Colour LED	60 Pcs 5730 High Power LED
RGB LED	96 Pcs 5050 High Power LED
LED Degree	110°
Volt	10-30VDC
Current 24V / 12V	1.0A / 2.5A
Watt	Single Colour 30W. - RGB 20W.
LED Colour / Lumen	White 3000 lumen , Blue 1800 lumen
Product Cable	Single Colour 2 mt. 2x0,75 RNF Marine Cable, RGB 2 mt, 4x0,50 RNF Marine Cable
Product Sizes	Width: 202mm., Height: 28,5mm., Length: 85,5mm.
Hole Diameter	10 mm.

U.V. IP68 CLASS III

Do not use in waterless environment.

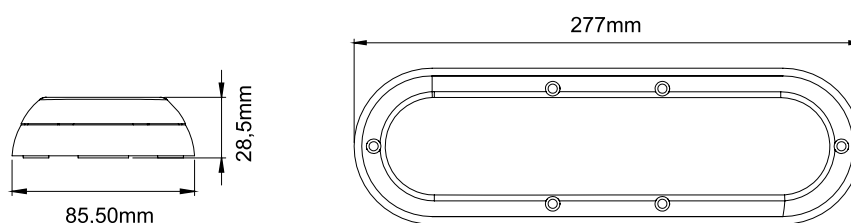
AL UWL405 SM



- BOAT SIZE : 7-25 mt. / 25-80 ft.
- Salt resistant Thermal Resin body
 - Impact resistant special glass
 - High-Tech SMD LED with high wattage.
 - Has light power of 100-110 lumens per watt
 - RGB full colour LED
 - 2x0,75 mm² Neopren RNF Cable
 - Body assembly is practical. 10 mm cable hole is drilled on the surface of the hull and the surface of the boat is mounted underwater.



Product Specifications

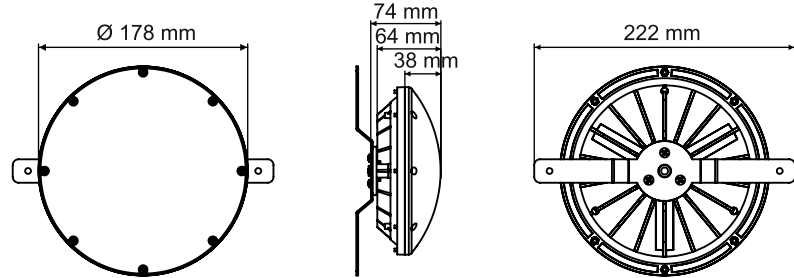


Product Code	AL UWL405 SM
Boat Dimensions mt./ft.	7mt. - 25mt. / 25ft. - 80ft.
Single Colour LED	96 Pcs 5730 High Power LED
RGB LED	150 Pcs 5050 High Power LED
LED Degree	110°
Volt	10-30VDC
Current 24V / 12V	2.0A / 4.0A
Watt	Single Colour 48W. - RGB 30W.
LED Colour / Lumen	White 4800 lumen , Blue 2880 lumen
Product Cable	Single Colour 2 mt. 2x0,75 RNF Marine Cable, RGB 2 mt, 4x0,50 RNF Marine Cable
Product Sizes	Width: 277mm. , Height: 28,5mm. , Length: 85,5mm.
Hole Diameter	10 mm.

U.V. IP68 CLASS III

Do not use in waterless environment.

AL SML101



For all sailing boats and motor yachts.

- Salt water resistant patented.
- Aluminium cooling body.
- Low energy consumption.
- High light, Long life.
- Low installation cost.
- The resistant body and glass although U.V. and and impact.
- IP68 waterproof protection.

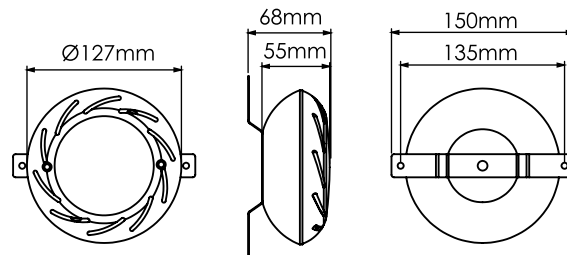
Product Code	AL SML101
Boat Dimensions mt./ft.	For all sailing boats and motor yacht
Single Colour LED	84 Pcs 5730 SMD High Power LED
LED Degree	110°
Volt	12VDC
Current 12V	2.7A
Watt	Single Colour 42W.
LED Colour / Lumen	White 4200 lumen, Warm White 4200 lumen, Blue 2520 lumen
Product Cable	2 mt. 2x1,5 RNF Marine Cable

U.V. IP68 CLASS III



Turkey
Discover the potential

AL SML102



For all sailing boats and motor yachts.

- Salt water resistant patented.
- Aluminium cooling body.
- Low energy consumption.
- High light, Long life.
- Low installation cost.
- The resistant body and glass although U.V. and and impact.
- IP68 waterproof protection.

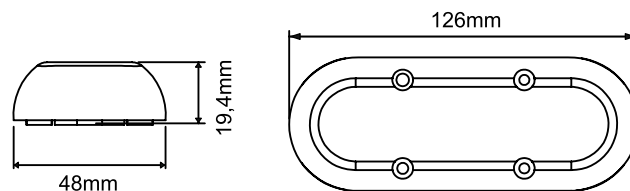
Product Code	AL SML102
Boat Dimensions mt./ft.	For all sailing boats and motor yacht
Single Colour LED	30 Pcs 5730 SMD High Power LED
LED Degree	110°
Volt	12VDC , 24VDC, 10-30VDC
Current 12V	2.7A
Watt	Single Colour 15W.
LED Colour / Lumen	White 1500 lumen, Warm White 1500 lumen, Blue 900 lumen
Product Cable	2 mt. 2x1 RNF Marine Cable

U.V. IP68 CLASS III



Turkey
Discover the potential

AL 4215 WH



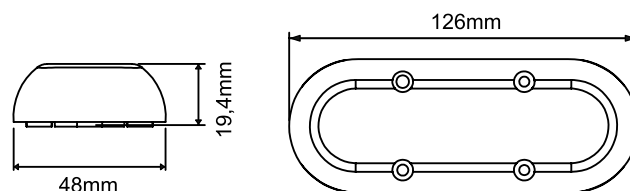
Interior & exterior lighting for all sailing yachts and motor yacht
 AISI 316L Stainless steel
 Shockproof UV protection

Product Code	AL 4215 WH
Boat Dimensions mt./ft.	For all sailing yachts and motor yachts
LED Colours	White, Warm White, Blue
Watt	6W
Lumen	600 lumen
Volt	12VDC - 24VDC



U.V. CE IP68 CLASS III

AL 4215 TR



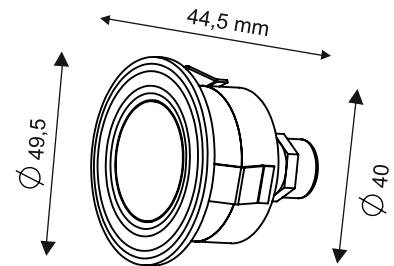
Interior & exterior lighting for all sailing yachts and motor yachts
 Shockproof UV protection

Product Code	AL 4215 TR
Boat Dimensions mt./ft.	For all sailing yachts and motor yachts
LED Colours	White, Warm White, Blue
Watt	6W
Lumen	600 lumen
Volt	12VDC - 24VDC



U.V. CE IP68 CLASS III

AL 3205



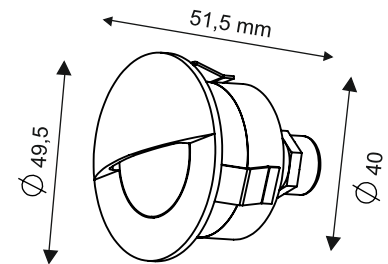
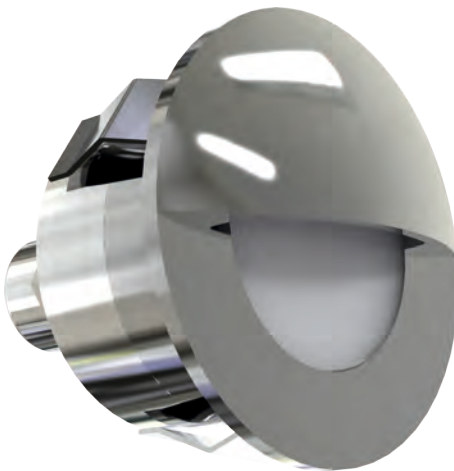
Interior lighting for all sailing yachts and motor yachts
AISI 316L Stainless steel
Shockproof UV protection

Product Code	AL 3205
Boat Dimensions mt./ft.	For all sailing yachts and motor yachts
LED Colours	White, Warm White, Blue
Watt	3W
Lumen	300 lumen
Volt	12VDC - 24VDC



U.V. IP67 CLASS III

AL 3215



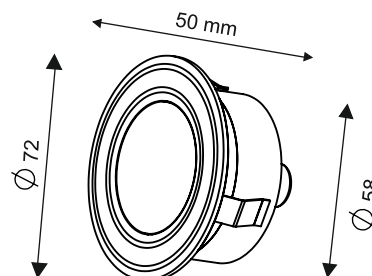
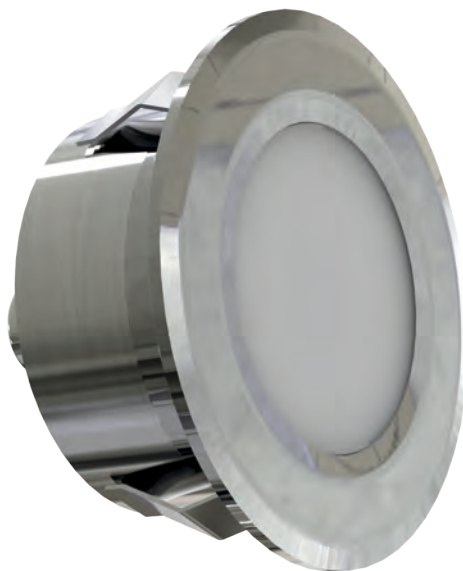
Interior lighting for all sailing yachts and motor yachts
AISI 316L Stainless steel
Shockproof UV protection

Product Code	AL 3215
Boat Dimensions mt./ft.	For all sailing yachts and motor yachts
LED Colours	White, Warm White, Blue
Watt	3W
Lumen	300 lumen
Volt	12VDC - 24VDC



U.V. IP67 CLASS III

AL 3225



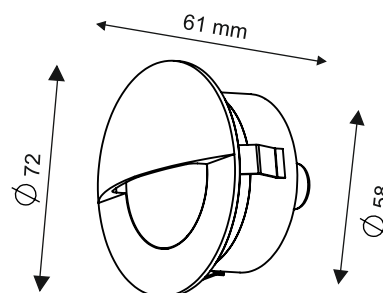
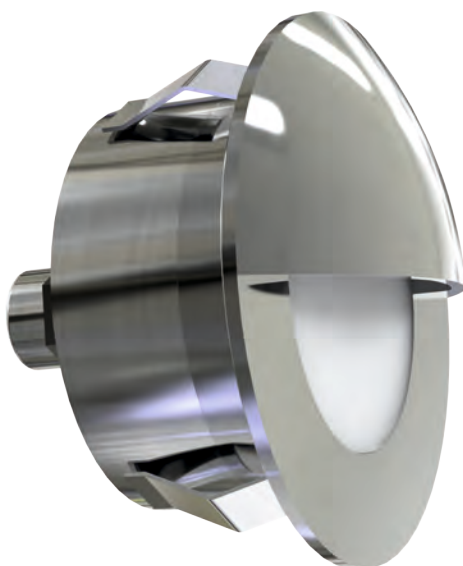
Interior lighting for all sailing yachts and motor yachts
 AISI 316L Stainless steel
 Shockproof UV protection

Product Code	AL 3225
Boat Dimensions mt./ft.	For all sailing yachts and motor yachts
LED Colours	White, Warm White, Blue
Watt	3W
Lumen	300 lumen
Volt	12VDC - 24VDC



U.V. CE IP67 CLASS III

AL 3235



Interior lighting for all sailing yachts and motor yachts
 AISI 316L Stainless steel
 Shockproof UV protection

Product Code	AL 3235
Boat Dimensions mt./ft.	For all sailing yachts and motor yachts
LED Colours	White, Warm White, Blue
Watt	3W
Lumen	300 lumen
Volt	12VDC - 24VDC



U.V. CE IP67 CLASS III

AL 2031



BOAT SIZE: For All Sailing Yachts and Motor Yachts

- AISI 316L quality stainless steel
- Impact resistant UV protected glass
- High Power LED with high lumen power
- Single illumination with 100 lumens of light power per watt
- Light wave can be adjusted with different lenses
- 2x0,75 mm² Neoprene RNF cable
- Practical installation

Product Specifications

Product Code	AL 2031
Boat Dimensions mt./ft.	For all sailing boats and motor yacht
Single Colour LED	1x1W - 100 lumen High Power LED
LED Degree	10°, 30°, 50°, 80°
Volt	12VDC



AL 2041



BOAT SIZE: For All Sailing Yachts and Motor Yachts

- AISI 316L quality stainless steel
- Impact resistant UV protected glass
- High Power LED with high lumen power
- Single illumination with 100 lumens of light power per watt
- RGB full colour
- Light wave can be adjusted with different lenses
- 2x0,75 mm² Neoprene RNF cable
- Practical installation

Product Specifications

Product Code	AL 2041
Boat Dimensions mt./ft.	For all sailing boats and motor yacht
Single Colour LED	3x1W - 300 lumen High Power LED
RGBW LED	3x3W. Full Colour LED
Led Degree	10°, 30°, 50°, 80°
Volt	12VDC



IP67 WATERPROOF DOWNLIGHT



SPECIFICATIONS

- Do not oxidizable and corrosion
- It has more high light and lumen for per watt through the new technology SMD LEDs.
- To send the light directly. So do not lose the light of led as indirect lighting.
- To emits the light homogeneous through has diffuser particulates PC glass.
- UV protected ABS frame. Chrome, Matt Chrome, Tumbled Copper, Gold painting
- Thermal resin cooler body.
- The light colour : White (6500k) , Day light (4000k) , Warm white (3000k), Blue

BENEFITS

- Has more bright and lumen through directly lighting
- Has a constant current circuit
- 12-24V 600 lumen 6W
- Long life

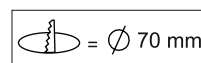
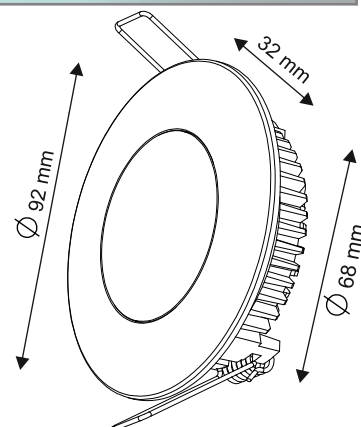


AL 4195 WH (WHITE)



INTERIOR & EXTERIOR DOWNLIGHT

- For all sailing yachts and motor yachts
- UV protected ABS frame
- UV protected PC glass
- Thermal resin cooling body



Product Code	AL 4195 WH
LED Colours	White, Day Light, Warm White, Blue
Watt	6W
Lumen	600 lumen
Volt	12VDC - 24VDC
Product Size	Frame: 92mm, Height: 32mm, Hole dimension: 70mm

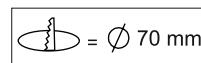
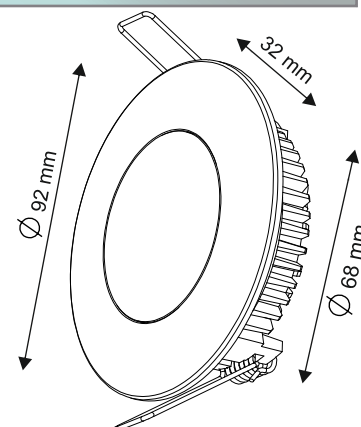
U.V. IP67 CLASS III

AL 4195 NBL (NICKEL BLACK)



INTERIOR & EXTERIOR DOWNLIGHT

- For all sailing yachts and motor yachts
- UV protected ABS frame
- UV protected PC glass
- Thermal resin cooling body



Product Code	AL 4195 NBL
LED Colours	White, Day Light, Warm White, Blue
Watt	6W
Lumen	600 lumen
Volt	12VDC - 24VDC
Product Size	Frame: 92mm, Height: 32mm, Hole dimension: 70mm

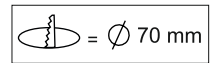
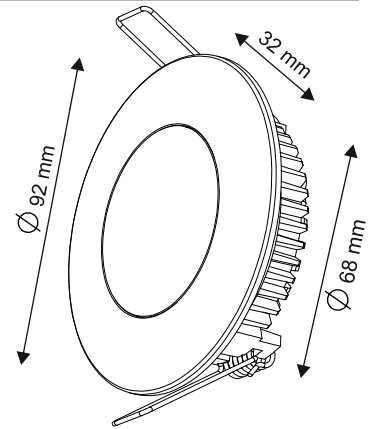
U.V. IP67 CLASS III

AL 4195 CR (CHROME)



INTERIOR & EXTERIOR DOWNLIGHT

- For all sailing yachts and motor yachts
- UV protected ABS frame
- UV protected PC glass
- Thermal resin cooling body



Product Code	AL 4195 CR
LED Colours	White, Day Light, Warm White, Blue
Watt	6W
Lumen	600 lumen
Volt	12VDC - 24VDC
Product Size	Frame: 92mm, Height: 32mm, Hole dimension: 70mm

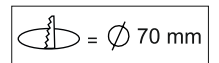
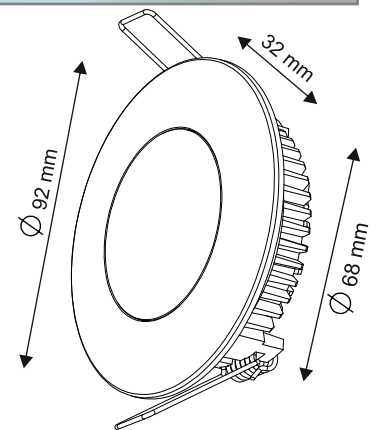
U.V. IP67 CLASS III

AL 4195 MCR (MATT CHROME)



INTERIOR & EXTERIOR DOWNLIGHT

- For all sailing yachts and motor yachts
- UV protected ABS frame
- UV protected PC glass
- Thermal resin cooling body



Product Code	AL 4195 MCR
LED Colours	White, Day Light, Warm White, Blue
Watt	6W
Lumen	600 lumen
Volt	12VDC - 24VDC
Product Size	Frame: 92mm, Height: 32mm, Hole dimension: 70mm

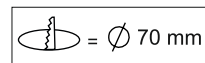
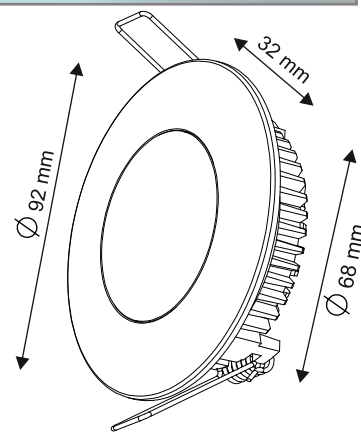
U.V. IP67 CLASS III

AL 4195 AC (ANTIQUÉ COPPER)



INTERIOR & EXTERIOR DOWNLIGHT

- For all sailing yachts and motor yachts
- UV protected ABS frame
- UV protected PC glass
- Thermal resin cooling body



Product Code	AL 4195 AC
LED Colours	White, Day Light, Warm White, Blue
Watt	6W
Lumen	600 lumen
Volt	12VDC - 24VDC
Product Size	Frame: 92mm, Height: 32mm, Hole dimension: 70mm

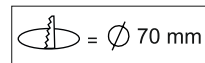
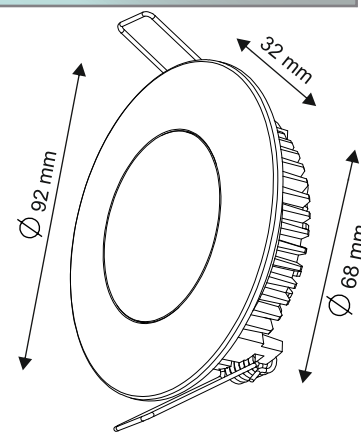
U.V. IP67 CLASS III

AL 4195 SG (SATIN GOLD)



INTERIOR & EXTERIOR DOWNLIGHT

- For all sailing yachts and motor yachts
- UV protected ABS frame
- UV protected PC glass
- Thermal resin cooling body



Product Code	AL 4195 SG
LED Colours	White, Day Light, Warm White, Blue
Watt	6W
Lumen	600 lumen
Volt	12VDC - 24VDC
Product Size	Frame: 92mm, Height: 32mm, Hole dimension: 70mm

U.V. IP67 CLASS III

AL LB1030 / AL LB1030-H



IP33 CLASS III

Specifications

- Slim and stylish design
- Three chipped led technology
- High power SMD LED
- Low energy consumption
- Aluminium body
- PC lens
- Easy assembly



LED	3 Chiped 45 Pcs SMD LED
Body	Satin Nickel Body
LED Colour	White, Warm White, Blue
Lumen	200 Lumen / 900 Lumen
Watt	3W / 9W
Volt	DC12V-24V

AL LB1060 / AL LB1060-H



IP33 CLASS III

Specifications

- Slim and stylish design
- Three chipped led technology
- High power SMD LED
- Low energy consumption
- Aluminium body
- PC lens
- Easy assembly



LED	3 Chiped 90 Pcs SMD LED
Body	Satin Nickel Body
LED Colour	White, Warm white, Blue
Lumen	400 Lumen / 1800 Lumen
Watt	6W / 18W
Volt	DC12V-24V

AL LB1090 / AL LB1090-H



IP33 CLASS III

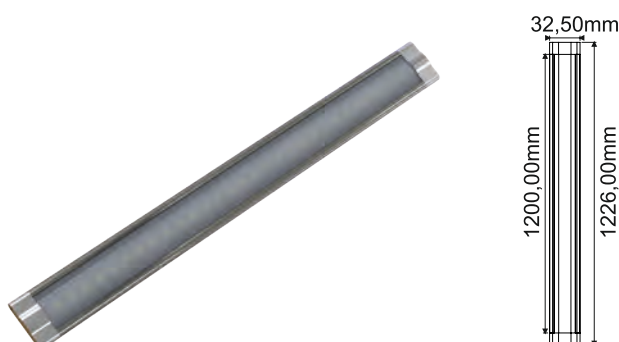
Specifications

- Slim and stylish design
- Three chipped led technology
- High power SMD LED
- Low energy consumption
- Aluminium body
- PC lens
- Easy assembly



LED	3 Chiped 135 Pcs SMD LED
Body	Satin Nickel Body
LED Colour	White, Warm White, Blue
Lumen	600 Lumen / 2700 Lumen
Watt	9W / 27W
Volt	DC12V-24V

AL LB10120 / AL LB10120-H



IP33 CLASS III

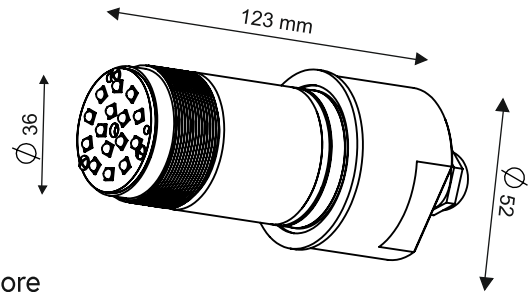
Specifications

- Slim and stylish design
- Three chipped led technology
- High power SMD LED
- Low energy consumption
- Aluminium body
- PC lens
- Easy assembly



LED	3 Chiped 180 Pcs SMD LED
Body	Satin Nickel Body
LED Colour	White, Warm white, Blue
Lumen	800 Lumen / 3600 Lumen
Watt	12W / 36W
Volt	DC12V-24V

AL UWL301 TH CORE



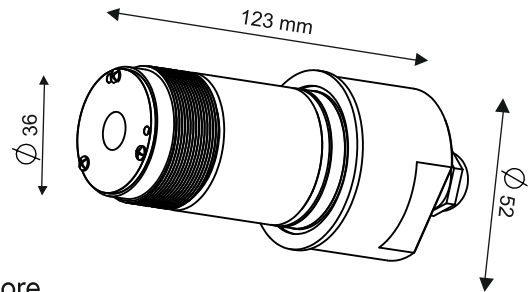
Aluminium core
SMD LED
Thru-Hull Underwater Lighting

Product Code	AL UWL301 TH CORE
Boat Dimensions mt./ft.	7mt. - 25mt. / 25ft. - 80ft.
Single Colour LED	16x5W 3535 High Power LED
RGBW LED	15x4W 3535 High Power LED
Single Colour / Lumen	White 9000 lumen , Royal Blue 3360 lumen
RGBW Colour / Lumen	RGBW 5250 lumen
Volt	DC 10V-30V



U.V. IP68 CLASS III

AL UWC301 TH CORE



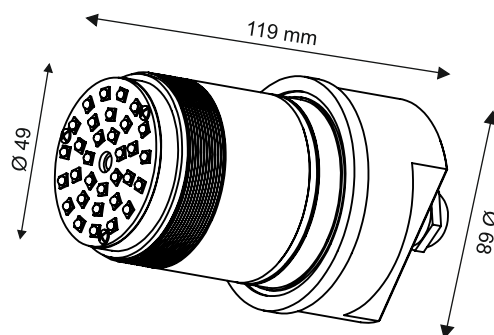
Aluminium core
Full HD 1080P
Thru-Hull Underwater Camera

Product Code	AL UWC301 TH CORE
Boat Dimensions mt./ft.	For all sailing yachts and motor yachts
Resolution	Full HD 1080P
Camera Lens	2MP SONY
Effective Pixels	1920 (H) X 1080 (V)
Volt	12 VDC



U.V. IP68 CLASS III

AL UWL302 TH CORE



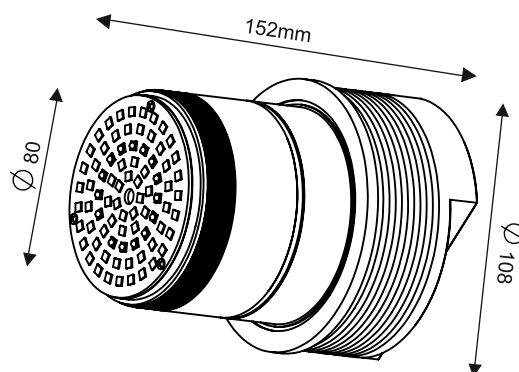
Aluminium core
SMD LED
Thru-Hull Underwater Lighting

Product Code	AL UWL302 TH CORE
Boat Dimensions mt./ft.	7mt. - 50mt. / 25ft. - 165ft.
Single Colour LED	32x5W 3535 High Power LED
RGBW LED	30x4W 3535 High Power LED
Single Colour / Lumen	White 18000 lumen , Royal Blue 6720 lumen
RGBW Colour / Lumen	RGBW 10500 lumen
Volt	DC 10V-30V



U.V. IP68 CLASS III

AL UWL303 TH CORE



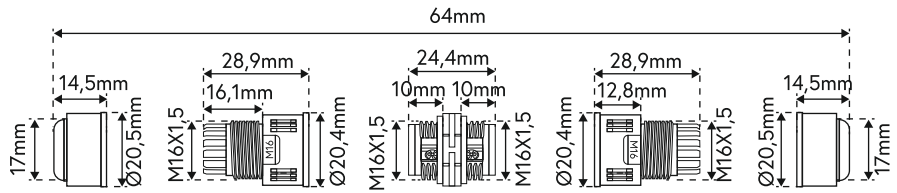
Aluminium core
SMD LED
Thru-Hull Underwater Lighting

Product Code	AL UWL303 TH CORE
Boat Dimensions mt./ft.	15mt. - 100mt. / 50ft. - 330ft.
Single Colour LED	64x5W 3535 High Power LED
RGBW LED	60x4W 3535 High Power LED
Single Colour / Lumen	White 36000 lumen , Royal Blue 13440 lumen
RGBW Colour / Lumen	RGBW 21000 lumen
Volt	DC 10V-30V



U.V. IP68 CLASS III

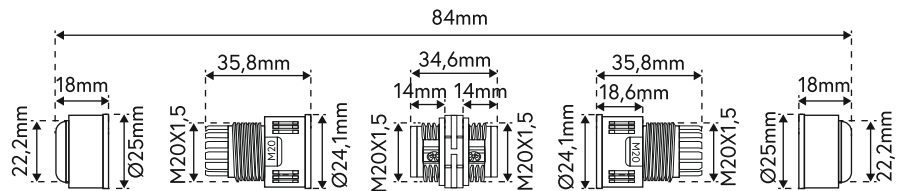
AL WPCM16-3P



Model	Cores	Volt	Current	Cable Range	Box Pcs
M16	3P	400V	7.5A	3 - 6,5mm	40 Pcs

U.V. IP68 CLASS III

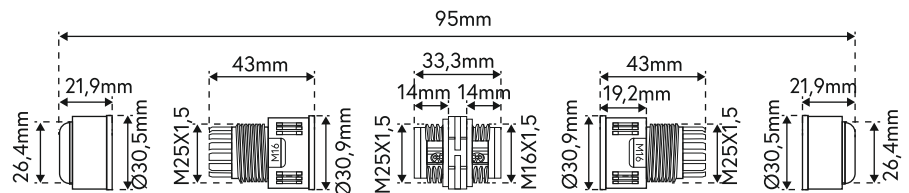
AL WPCM20-3P



Model	Cores	Volt	Current	Cable Range	Box Pcs
M20	3P	400V	7.5A	5 - 8mm	24 Pcs

U.V. IP68 CLASS III

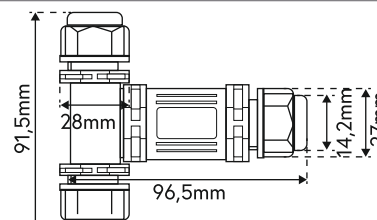
AL WPCM25-5P



Model	Cores	Volt	Current	Cable Range	Box Pcs
M25	5P	400V	7.5A	5 - 8mm	15 Pcs

U.V. IP68 CLASS III

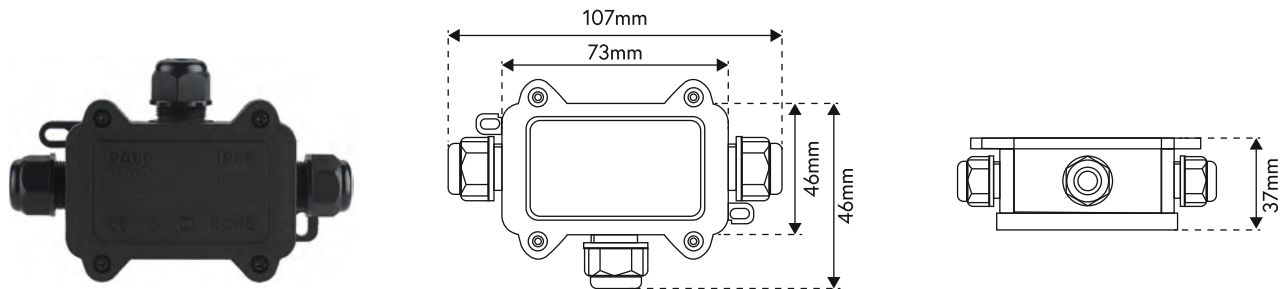
AL WPCM25T-5P



Model	Cores	Volt	Current	Cable Range	Box Pcs
M25T	5P	400V	7.5A	5 - 8mm	5 Pcs

U.V. IP68 CLASS III

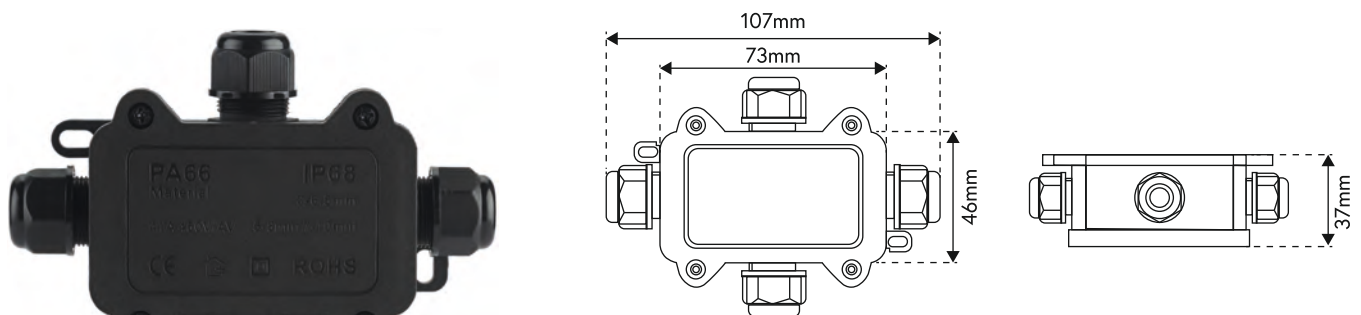
AL WPJS-3T



Model	Cores	Volt	Current	Cable Range	Box Pcs
3T	3P	450V	24A	5 -8mm	1 Pc

U.V. CLASS III

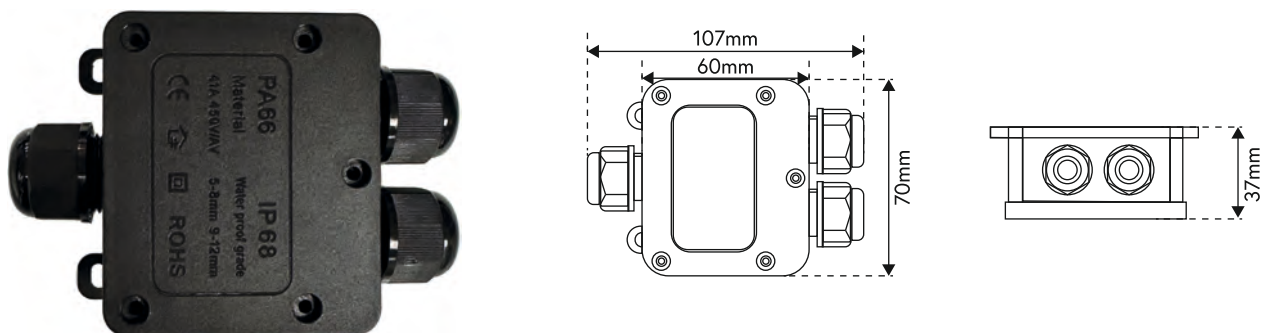
AL WPJS-4T



Model	Cores	Volt	Current	Cable Range	Box Pcs
4T	4P	450V	24A	5 - 8mm	1 Pc

U.V. CLASS III

AL WPJL-3T



Model	Cores	Volt	Current	Cable Range	Box Pcs
3T	3P	450V	24A	9 - 12mm	1 Pc

U.V. CLASS III

AL RGBW / RGB POWER UNIT



High power amplifier unit for RGBW and RGB
Steel body



Product Specifications

Product Code	AL RGBW/RGB POWER UNIT
Input Volt	DC 12V-24V
Output	12V - 24V
Power (RGBW)	4x27.5A 1320W-12V (Four Channel)
	4x27.5A 2640W-24V (Four Channel)
Power (RGB)	3x27.5A 990W-12V (Three Channel)
	3x27.5A 1980W-24V (Three Channel)

AL TC01-RGBW TOUCH CONTROLLER



AL TC01-RGBW TOUCH, adopts the advanced micro control unit, it is used for controlling a variety of LED lamps. For instance, point source of light, flexible light strip and so on; it has many advantages such as touch remote control, easy connection and simply to use. Meanwhile, you can adjust brightness, static color choices and various dynamic changes in lighting effects through wireless touch remote control. And according to the actual need of customers, it can carry out jumpy changing, gradual changing, stroboflash and other effects of change. Especially, the AL TC01-RGBW TOUCH, designed with the Synchronization function, is suitable for the use of the RJ45 connector to connect multiple controllers to perform synchronous operation of products at very high watts. There is a RF remote touch control 5 functions, 1 color ring and 1 color sense lamp in the center, all buttons are in the touch form, the color ring have 128 levels in different colors. There are 9 modes in total, including 2 white static colors and 7 dynamic modes. The brightness of all static color and the speed of the dynamic modes are adjustable.

Product Specifications

Working Temperature	-20 / +60 °C
Supply Voltage	DC12V - 24V
Output	4 Channels
Connecting Mode	Common Anode
Output Gray	256 levels (RGBW each)
Output Current	6Ax4
Output Power	12V:<288W, 24V:<576W
RF Frequency	433.9 MHz

SERTİFİKA CERTIFICATE

KALİTE YÖNETİMİ / *QUALITY MANAGEMENT*
AK BORU ELEKTRİK MAL. SAN. TİC. LTD. ŞTİ.

kuruluşunun,
company,

Merkez: Halil Rıfat Paşa Mah. Perpa Tic. Merk. A-Blok. K.8 No.702

Şişli / İstanbul / Türkiye

Üretim: Bahçelievler Mah. Küçük Doğu Sanayi Sitesi 1. Blok No:1 İstanbul / Türkiye

adresinde,
at address,

SU ALTI LED'Lİ TEKNE VE HAVUZ, BAHÇE, İÇ VE DIŞ MEKAN
AYDINLATMALARIN ÜRETİMİ VE SATIŞI

*PRODUCTION AND SALES OF UNDERWATER LED BOAT AND POOL, GARDEN,
INDOOR AND OUTDOOR LIGHTING LUMINAIRES*

kapsamında
at scope

kalite yönetim sistemi yürürlüğe koyduğu,
perform the quality management system,

ISO 9001: 2015

standart taleplerinin yerine getirildiği belirlenmiştir.
the complete of the standard was determined.

İlk Yayın Tarihi / *Date First Registered* : 19.01.2023
Yayın Tarihi / *Date Certificate Issued* : 19.01.2023
Geçerlilik Periyodu / *Period of Registration* : 3 Yıl / *Years*
Geçerlilik Tarihi / *Date Certificate Expires* : 18.01.2026
Sertifika Numarası / *Certificate No* : 01/13909/01



Kalite Yönetim Sistemi
TS EN ISO / IEC 17021
AB - 0060 - YS



TÜRKAK BDS NO
YS-5815-5A14

Onay:
Approved By:



Bu sertifikanın geçerliliği, yılda en az bir kez yapılacak gözetim denetiminin başarılı geçmesine bağlıdır. Bu durumda belge yeniden düzenlenecektir.
The Validity of this certificate, subject to successful completion of surveillance audit which will take place at least once a year. In this case, the document will be reissued.

ASB Uluslararası Belgelendirme Gözetim Denetim ve Eğitim Hiz. Ltd. Şti. / *ASB International Certification Surveillance, Auditing and Training Services Ltd. Company*
Tatlısu Mh. Akif İnan Sk. Sevim Residence No:16 Daire:13 Kat:06 Ümraniye - İstanbul / TÜRKİYE Tel: +90 216 526 10 04 Fax: +90 216 526 30 91 e-mail: bilgi@asbcert.com.tr
Bu sertifika, kuruluşun ASB'nin şartlarına uyduğu sürece geçerlidir. Sertifikanın durumu www.asbcert.com.tr adresinden kontrol edilebilir.
The Validity shall remain in force as long as the corporation follows instructions of ASB. Certificates status can be checked at www.asbcert.com.tr



AKBORU ELEKTRIK LTD. CO.

Perpa Ticaret Merkezi A Blok Kat. 8 No. 702,
34384 Sisli, Istanbul, TURKEY

Tel : +90 212 2102526 / +90 212 2102522

Fax: +90 212 2102527

www.akboru.com info@akboru.com